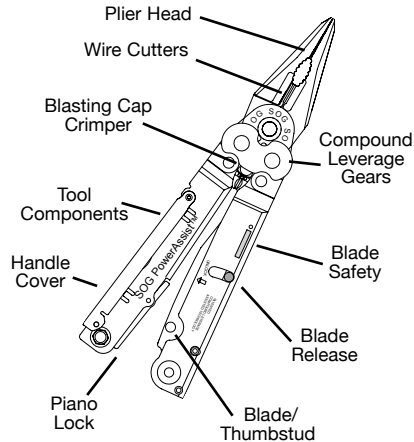


## User's Guide For

# SOG PowerAssist™



Congratulations on becoming a SOG PowerAssist owner. The PowerAssist is the first multi-tool with assisted blade technology that propels the knife blades into the open and locked position once you initiate the one-handed opening action. We warn you, you'll never look at tools the same way again!

### Compound Leverage™ Factoid:

SOG's patented compound leverage generates more plier gripping, wire cutting, and wire crimping power than all other designs. This is accomplished with multiple pivot points that generate greater handle travel in relation to plier movement (most tools have the handles and plier head locked together). A leverage advantage of approximately twice that of similar tools is generated.

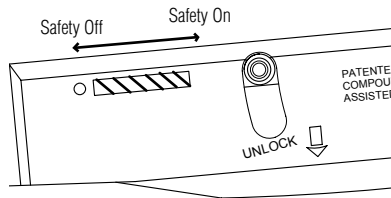
### 1. Opening/Closing Your Tool

To open, pull the handles apart and completely rotate them to use the pliers. This can easily be achieved with one hand using a variety of techniques (i.e. gently throwing one handle out as you hold the other one, spreading the handles with index finger and thumb, etc.). A breaking-in period might be required to minimize any rotational stiffness. Be careful not to pinch your hands when opening and closing the plier. To close, simply rotate the handles in the reverse direction.

**NEVER USE THE PLIERS WITHOUT FIRST CLOSING ALL OF THE COMPONENTS.**

### 2. Opening/Closing the Knife Blades

We recommend keeping the blade safety in the on/locked position when the knife blades are not in use. Off/unlocked is down towards the plier end of the tool, and locked is towards the back of the tool (see diagram below).



To deploy a knife blade, firmly grip PowerAssist, making sure that the safety is in the unlocked position for the knife blade you are opening. Place your thumb on the thumbstud of the blade and slowly apply pressure in an outward motion until S.A.T. activates and fully deploys the blade into the open position (at this point you may also use the safety to double lock the blade in the open position).

When closing the blade make sure the safety is in the off position, then holding the blade with one hand, slide the unlock button all the way to the bottom of the slot with the thumb/nail on your opposite hand. When blade is unlocked rotate the blade back into the handle. If the blade does not want to seat all the way in the handle, make sure the safety is not in the locked position. Once closed return the safety to the locked position for storage.

**NOTE: NEVER OPEN BOTH BLADES AT ONE TIME OR DEPLOY THE BLADES WHILE TOOL IS IN THE OPEN POSITION. THIS COULD RESULT IN DAMAGE TO TOOL AND/OR INJURY.**

### 3. Using the Blasting Cap Crimper

To use the Blasting Cap Crimper, rotate the PowerAssist into an open position. Place blasting cap between handles, just below Compound Leverage Gears. Apply pressure to handles until blasting cap is secured.

### 4. Opening the Tool Components

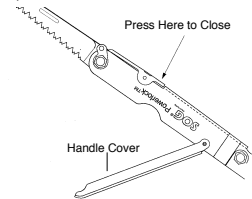
Open the tool as in Step 1. Swing the handle cover fully open. Now carefully pull out one of the tools using the nail nicks or nail slots (sometimes it may be necessary to press the lock release lever to assist in opening tool components). Other tools might automatically come out. These should be pushed back into the handle. When fully opened, the lock will click into place (note that the Phillips screwdriver has two locking positions for use in tight spots).

Once the component is locked, close the handle cover and bring the handles back together. When using the tool component, prevent accidental release by avoiding pressing on the PianoLock.

**WARNING:** All tool components, especially the knives, awl, and saw, are extremely sharp and should be handled with caution when opening, closing, and while in use. Only open one tool/blade at a time and always keep the handles closed together while using any component.

### 5. Closing the Tool Components

Open the tool and handle cover as in Step 2. Unlock the tool component by pressing the PianoLock and rotating the tool component back into the handle.



**WARNING:** Always use caution and keep fingers clear when closing components into the handles.

### 6. Using the ¼ Inch Drive

The foldable drive for ¼ inch sockets and adapters is easily usable in the diagonal of any socket as shown above. Use our optional socket adapter for universal hex drive (\$5.95) accessory with all hex drives. See replacement parts section for ordering info.

